

Mview

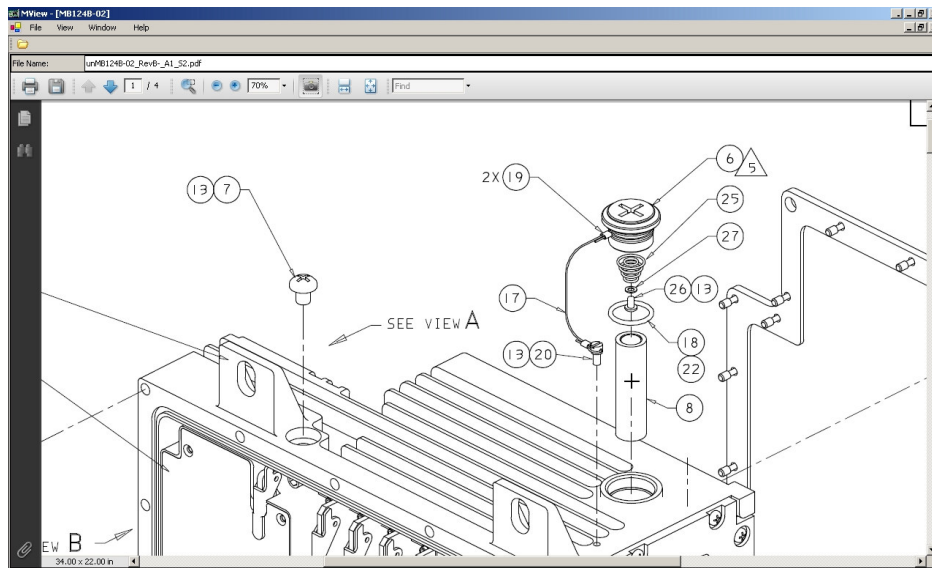
PDF mechanical design collaborating PLM data

Protect intellectual property by allowing users to access, view, and interrogate files without releasing the actual document and its proprietary data

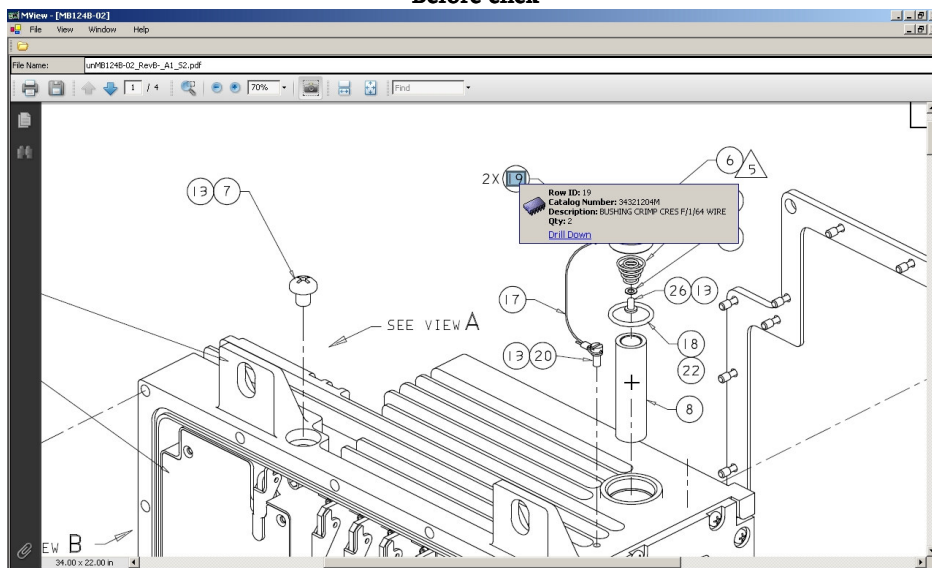
Based on visual collaboration between schematic PDF and any PLM data

Mview address the challenge of accessing, reviewing and collaborating on technical documents, in a secure and reliable manner without compromising security or precision.

Improved team productivity,



Before click



After click

www.proventustech.com

Email: sales@proventustech.com.